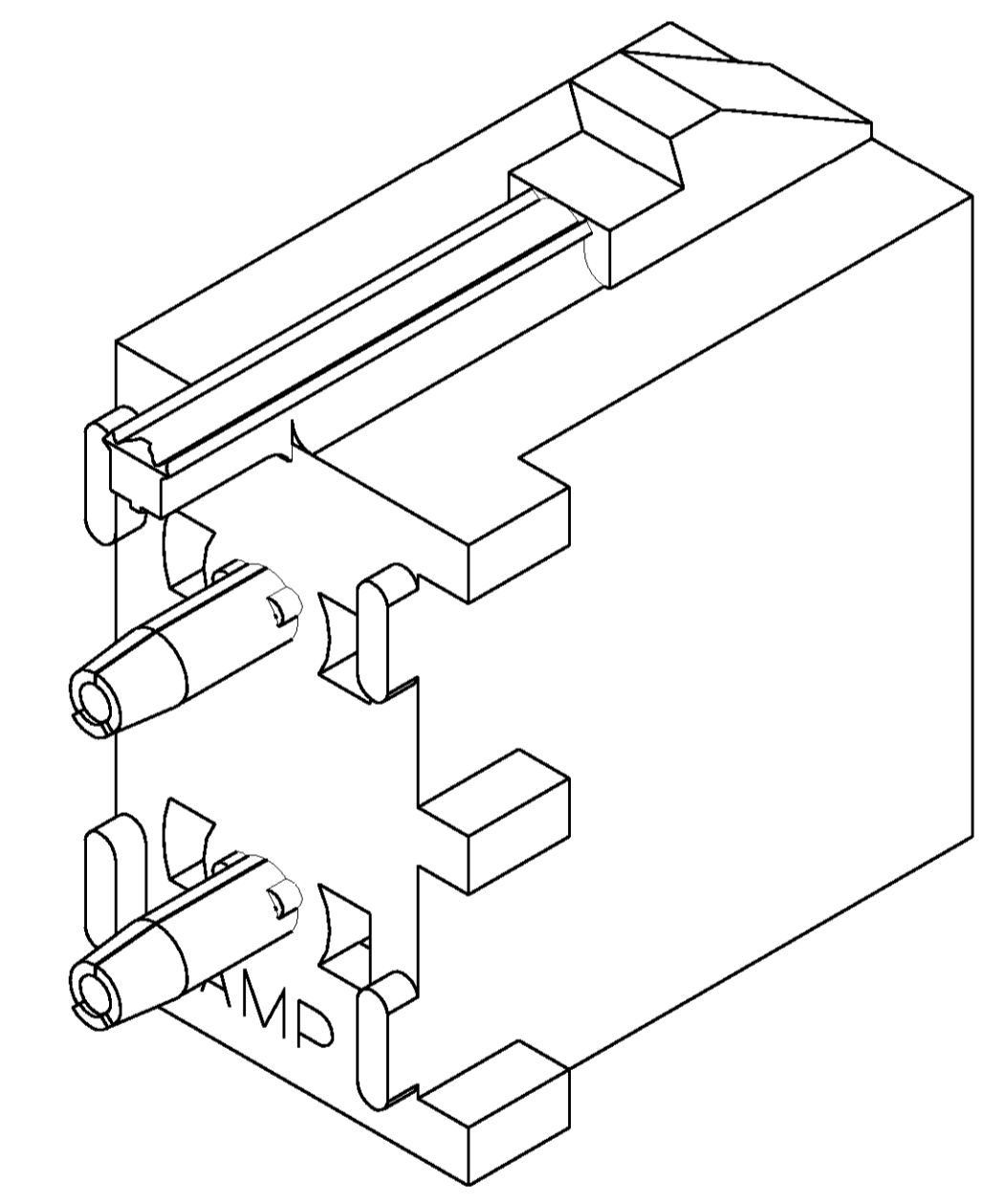
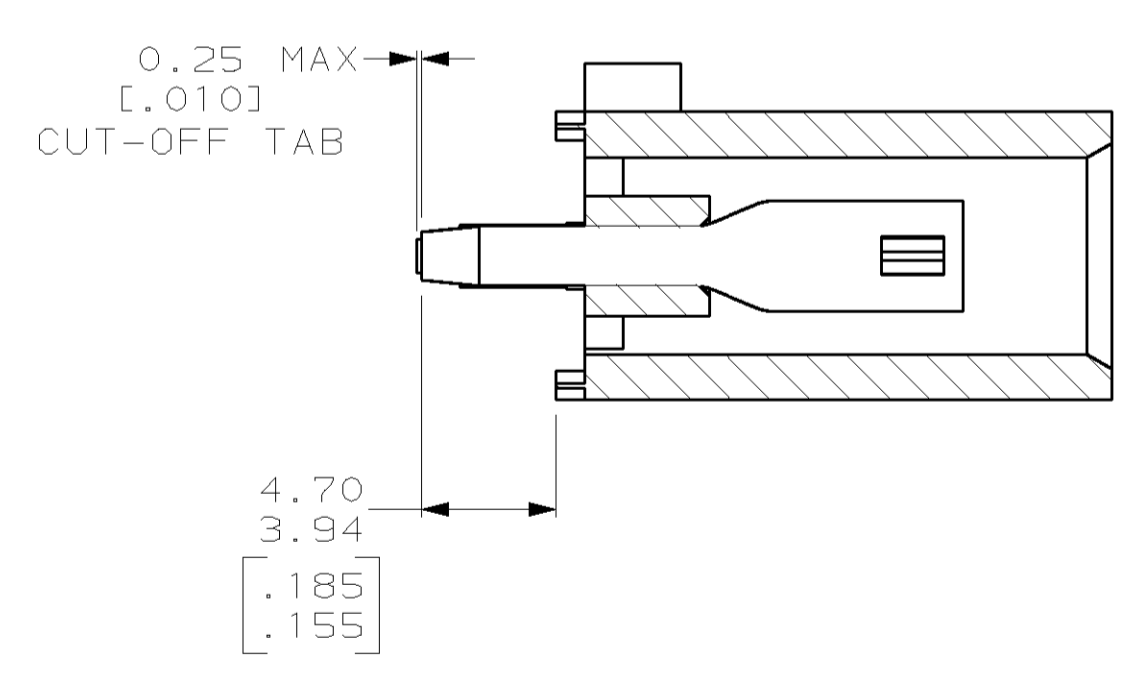
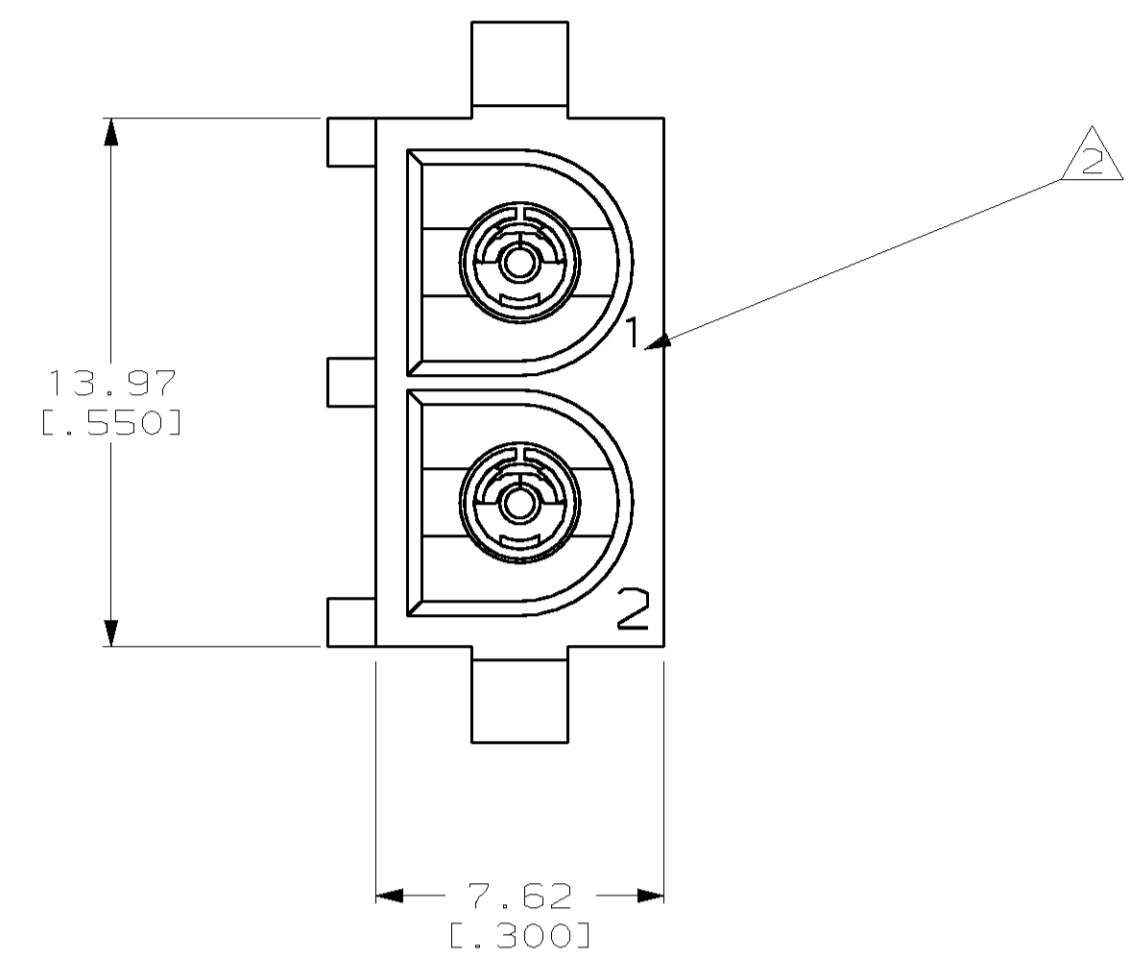
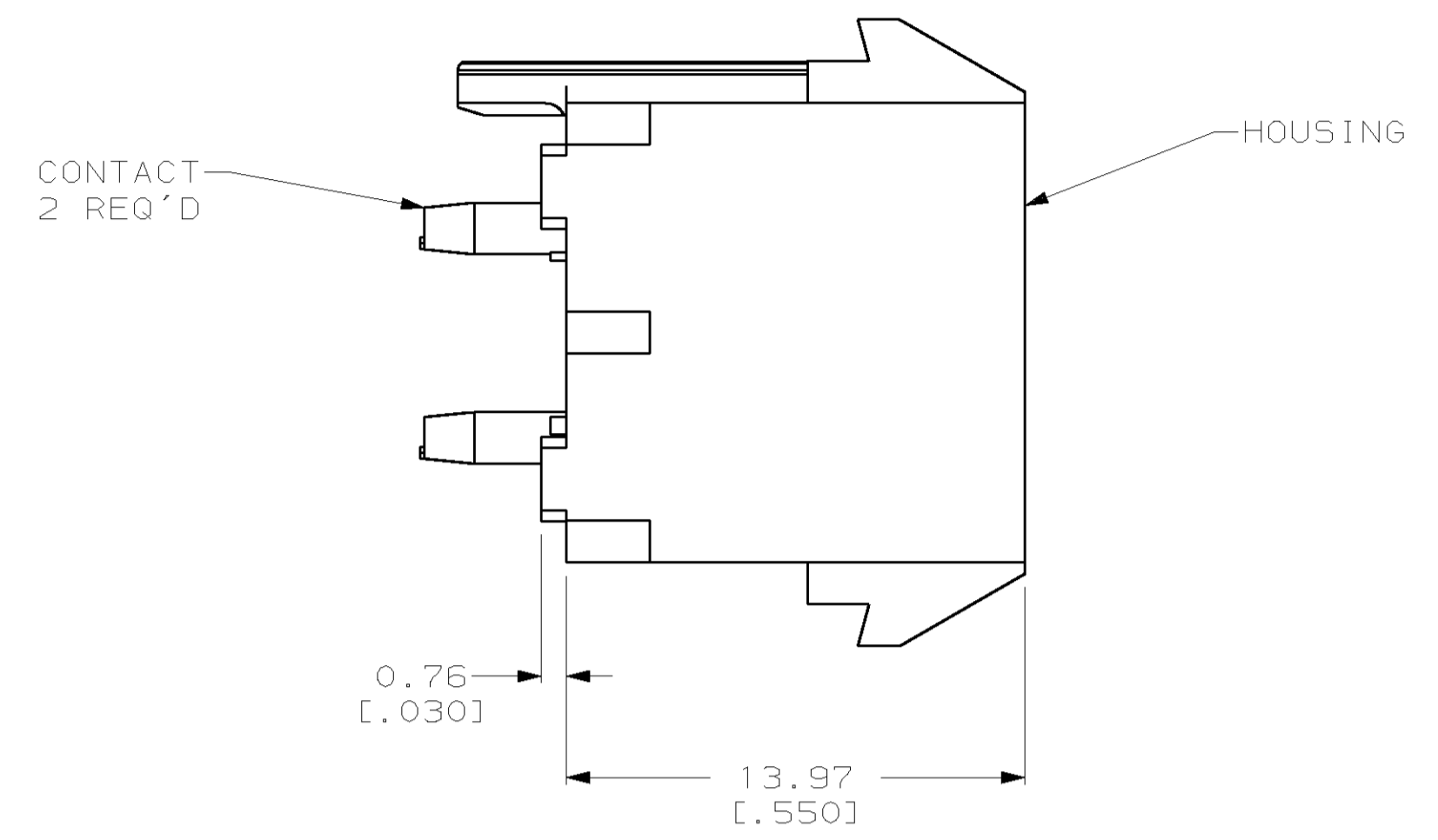
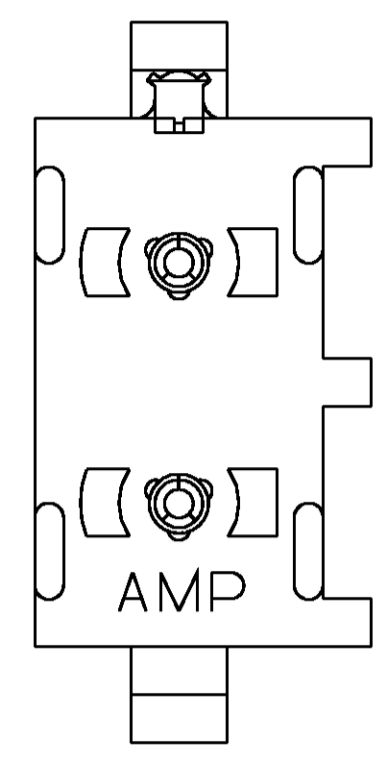
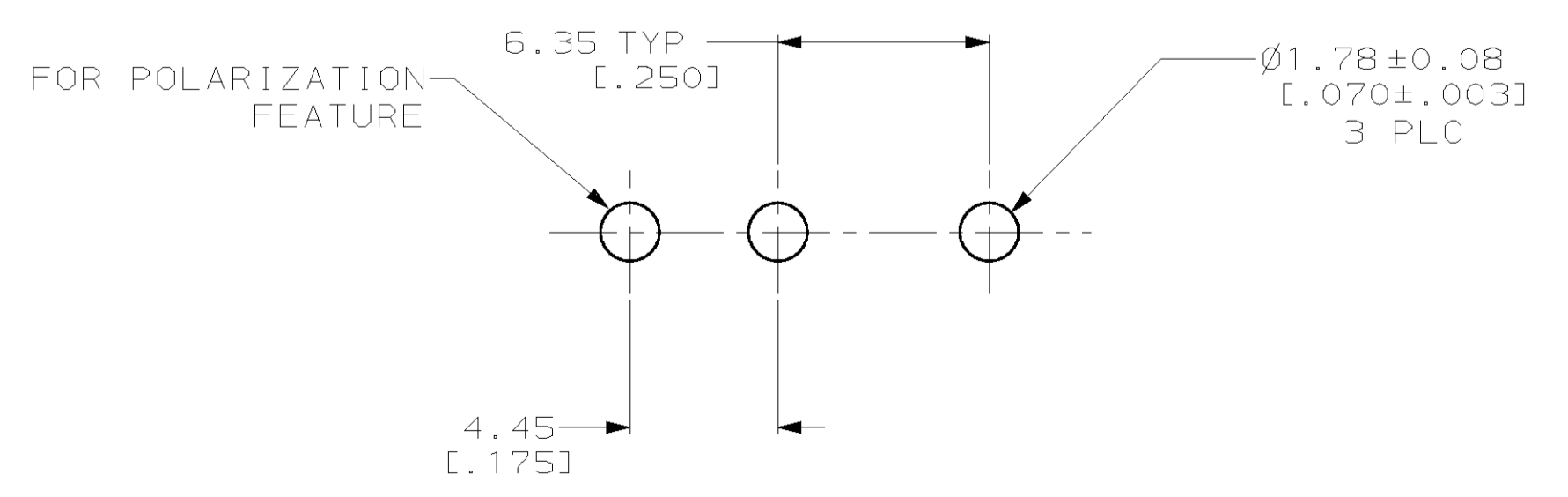


LOC	DIST	REVISIONS			
F	CHR	DESCRIPTION	DATE	OWN	APVD
CM	00	H	REV & REDWN PER EC 0638-0222-99	07-JAN-00	LM KC

- PARTS COMPLY TO AMP SOLDERABILITY SPECIFICATION 109-11-3.
- CIRCUIT IDENTIFICATION CHARACTERS ARE ADJACENT TO THE INDICATED CAVITIES, BUT LOCATION AND ORIENTATION MAY DIFFER FROM PRINT.
- DIMENSIONS IN BRACKETS ARE IN INCHES.



3-DIMENSIONAL MODEL NTS



RECOMMENDED MOUNTING HOLE PATTERN FOR 1.57 [.062] THICK P.C. BOARD

PHOSPHOR BRONZE, PRE-TIN PIN CONTACT MATERIAL AND FINISH	NYLON, UL94V-2, NATURAL HOUSING MATERIAL	643411-1 PART NO
THIS DRAWING IS A CONTROLLED DOCUMENT.		DWN L. McEACHIN 07-JAN-2000
DIMENSIONS: mm (INCHES)		CHK K. COBLE 07-JUN-2000
TOLERANCES UNLESS OTHERWISE SPECIFIED:		APVD K. COBLE 07-JUN-2000
0 PLC ±	1 PLC ±	NAME
2 PLC ±0.13 [.005]	3 PLC ±	SOCKET HEADER ASSEMBLY, POLARIZED, 2 CIRCUIT UNIVERSAL MATE-N-LOK™
4 PLC ±	ANGLES ±	SIZE
MATERIAL SEE TABLE	FINISH SEE TABLE	CAGE CODE
CUSTOMER DRAWING		DRAWING NO
SCALE 5:1		WEIGHT
SHEET 1 of 1		REV H

